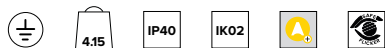
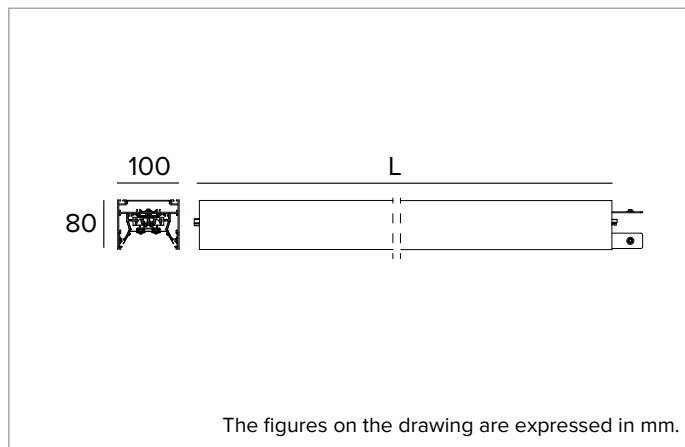


T011BZ840D2PW | LOGICO EASY System 100 - OPAL HO

LED luminaire for ceiling or suspended system installation. Linear module



	4000K	H(m)	D(m)	E _{max} (lx)
	Ra80		109°	
	Fixture Power	63W	1	2.82
	Source Flux	6566lm	2	5.64
	Fixture Flux	6566lm	3	8.46
	Efficacy	104lm/W	4	11.28
G0301A	I _{max} =210cd/klm	I _{max}	1380cd	5
			14.10	55



SOURCE

LED Engine made of linear LED boards Ra80.

Energy efficiency class: C, D

Nominal power: 56W

Nominal flux: 6566lm

Colour rendering index: 80

Rf: 84

Rg: 95

CCT nominal: 4000K

Lifetime (L80/B10): 100000h tq +25°C

ILLUMINOTECHNICAL CHARACTERISTICS

Direct/indirect emission. Diffused light - OPAL High Output optic: optical system made of a steel reflector with white polymer coating and a closing diffuser screen in opal anti-glare polycarbonate supplied in unrollable reels and available as a related code.

Emission: DIRECT/INDIRECT

Optic: REFLECTOR

Optical efficiency: 100%

Fixture flux: 6566lm

Luminous efficacy: 104lm/W

Photobiological safety: Compliant with RG0 exempt risk group

MECHANICAL CHARACTERISTICS

Painted extruded aluminium body with 100mm section. Upper closing screen in translucent polycarbonate.

Colour and finish: White

Dimensions: L=1168mm

Weight: 4.15Kg

Version: LINEAR

Degree of protection: IP40

Mechanical Resistance: IK02

ELECTRICAL CHARACTERISTICS

Integrated electronic DALI2 driver. "Easy Connection" system for a quick connection between the modules of the system thanks to the pre-assembled plug/socket connection elements. Preset for through wiring allowing to reach a maximum length of 18 meters. Luminaire compliant with EN 60598-2-22 for power supply from a centralised emergency system CPSS (Central Power Supply System), not incorporated in the luminaire - high risk areas excluded. The default power and flux are 100% in AC and 15% in DC.

Fixture Power: 63W

Power supply: 220-240Vac 50/60Hz

Insulation Class: CLASS 1

Type of driver / Control: DALI2

Driver included: YES

Class F: YES

SAFE FLICKER: PstLM=<1 and SVM=<0.4 (IEC TR 61547-1 and IEC TR 63158), to ensure a more comfortable and safe light

Ambient temperature: 0°C / +25°C

Relative humidity UR: <85%

INSTALLATION

To be completed with polycarbonate end caps, mounting systems for surface or suspended application and terminal block for connection to the power line.

NOTES

Casambi control system available using a dedicated accessory. Consult factory to verify the quantity of DALI drivers installed. For angular configurations L light modules and the L blind joint accessory are available. Commissioning of the control system via free APP; the intervention of a specialist technician can be quoted on request.

REGULATIONS AND CERTIFICATIONS

CE.

WARRANTY

5 years.

WARNING

Luminaire designed for disposal/recycling at end-of-life. Replaceable (LED only) light source by a professional. Replaceable control gear by a professional.

Due to the technological evolution of the electronic components, the data provided may be updated, and as such, confirmation must be requested during the order process.

Luminous flux and power supply have +/-10% tolerances with respect to the indicated value. tq +25°C (CIE 121).

We reserve the right to make technical changes.

Targetti Sankey S.r.l.
Via Pratese, 164
50145 Firenze - Italy
Tel: +39 055 37911
targetti.com
targetti@targetti.com

CCIAA Firenze
Share Capital:
€ 500.000,00
VAT N. (IT):
01537660480
R.E.A: FI-275656

TARGETTI

T011BZ840D2PW | LOGICO EASY System 100 - OPAL HO LED luminaire for ceiling or suspended system installation. Linear module

Related codes

Screen



Dimensions	Code
L=6m	A002LL1
L=9m	A002LL2
L=15m	A002LL3

OPAL screen (Direct Emission).
For LOGICO EASY System 100 - OPAL.

Accessories

End Caps



Colour	Code
○	A003L1W

End caps (2 pieces).
For LOGICO EASY System 100.

Cover Panel



Colour	Code
○	A005LW

Joint for screens.
To be used for configurations longer than 15 meters.
For LOGICO EASY System 100.

Suspension



Version	Code
L=6m	A008T
L=5m	A008U
L=4m	A008V
L=3m	A008W
L=2m	A008X
L=1m	A008Y
L=0,5m	A008Z

Suspension cable (2 pieces).

Canopy



Colour	Code
○	A004W

Canopy with 5 poles terminal block.
Feeding cable not included.

Bracket



Code
A007L

Bracket with adjustment system for suspended installation (2 pieces).
Two brackets needed for each lighting module.
For LOGICO EASY 100.

Terminal Box



Version	Code
5 Poli DALI	A009X

Terminal block (plug/socket).
One for each power supply.
A009X - For LOGICO EASY 57 | 100.

Due to the technological evolution of the electronic components, the data provided may be updated, and as such, confirmation must be requested during the order process.
Luminous flux and power supply have +/-10% tolerances with respect to the indicated value. tq +25°C (CIE 121).

We reserve the right to make technical changes.

Targetti Sankey S.r.l.
Via Pratese, 164
50145 Firenze - Italy
Tel: +39 055 37911
targetti.com
targetti@targetti.com

CCIAA Firenze
Share Capital:
€ 500.000,00
VAT N. (IT):
01537660480
R.E.A: FI-275656

TARGETTI

T011BZ840D2PW | LOGICO EASY System 100 - OPAL HO LED luminaire for ceiling or suspended system installation. Linear module

Control systems



Code

1T5349

IP20 wireless control unit with DALI interface.

It generates a local DALI2 bus, enabling a direct connection to a DALI interface LED driver.

The module can only be used in a closed system and cannot be connected to an existing DALI network.

The module is wireless controlled using a Casambi app for smartphones and tablets using Bluetooth 5.0 technology.

The devices automatically create an adaptive, robust, and reliable wireless mesh network, allowing for the easy and efficient management of a high number of fixtures.

The control unit is preset to the DALI 1CH profile, meaning the device can control a single DALI driver with broadcast commands.

In addition to the DALI broadcast, other operating modes are available, such as:

- Button (normally open)
- Control unit 0/1-10V
- Control unit DALI Tunable White DT8
- Presence sensor



Code

2T0131

IP20 Extender for wireless control of LED driver with dimming DALI (or 1-10V) interface based on Casambi technology.

It has a DALI2 output with the capacity to control up to 40 lighting fixtures.

With the addition of a further external BUS DALI power supply it is possible to control up to 64 fixtures.

IP20 Extender is preset to the DALI broadcast profile, meaning all the luminaires connected to it are dimmable at the same level.

In addition to the DALI broadcast other operating modes are available, such as:

- EXTENDER DALI 8CH
- EXTENDER DALI Tunable White
- EXTENDER 0/1-10V
- EXTENDER DALI 4CH
- EXTENDER DALI DT8 Tunable White

Due to the technological evolution of the electronic components, the data provided may be updated, and as such, confirmation must be requested during the order process.

Luminous flux and power supply have +/-10% tolerances with respect to the indicated value. tq +25°C (CIE 121).

We reserve the right to make technical changes.

Targetti Sankey S.r.l.
Via Pratese, 164
50145 Firenze - Italy
Tel: +39 055 37911
targetti.com
targetti@targetti.com

CCIAA Firenze
Share Capital:
€ 500.000,00
VAT N. (IT):
01537660480
R.E.A: FI-275656

TARGETTI